

# ESR Series with Bypass

ESR Soft Starter provides a cost effective solution for small to medium size motors. It is designed with a simple interface for easy installation; Compact & easy to Install; Built-in Bypass, motor protection and standard MODBUS RS485 that allows for remote monitoring and efficiently improved productivity.



## Basic Functions

- Start/stop slope and initial voltage set by 3 different potentiometers built-in
- Bypass relay built-in, No need for extra contactor
- Voltage slope with current limit mode.
- Δ and Y Wiring mode
- MODBUS RS485 is Selectable and can be reading current and fault data.
- Overcurrent, Overload, Max. start time, phase missing and sequence protection, SCR Overheating protections.
- 1 start/stop Digital Input.
- Selectable a Built-in Start/Stop isselectable
- 2 Output relay - Runing and Trip

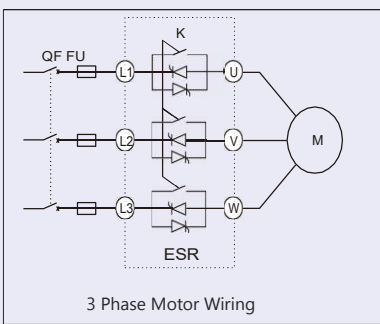
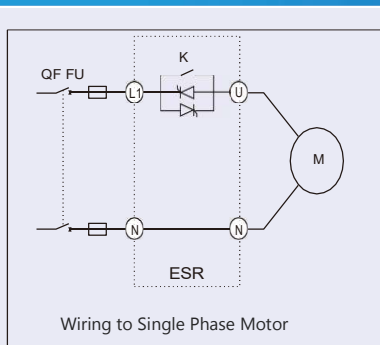
## Technical Data

Rated main voltage	200-525 VAC, 50/60Hz
Control source voltage	100-240 VAC, 24 VDC
Rated main current	1.5A - 150A
Initial voltage	30% - 70%
Start slope	1 - 30 sec.
Stop slope	0 - 30 sec.
Overload	3xle, 7 sec.
Times of start per hour	< 5, 5-10 ( light load or no-load)
Overload grade	10 A
Enviromental temp.	0.....+50°C
Store temp.	-40.....+70 °C
Max. altitude	1000m / 3280 ft
Protection class	IP21

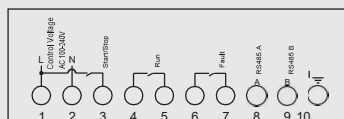
## Advantage

- ✓ Small Dimension, Low Cost
- ✓ Easy to Use and Wiring, DIN-Rail Mount
- ✓ Built-in Bypass; Modus RS485 is selectable
- ✓ Various Protection Function
- ✓ Wide Operating Voltage 200-525 VAC
- ✓ Power Range 0.4 - 75 kW

## Electrical Connection Diagram



## Terminal Diagram

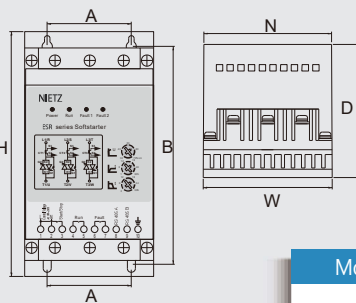


Power Supply	Soft Starter Rated Current, A	Motor, kW Rated Power	Weight, Kg
220V ±15% 1 Phase Input, 3 Phase output	2.0	0.37	1
	3.0	0.55	1
	4.0	0.75	1
	6.0	1.1	1
	9.0	1.5	1
	12	2.2	1
	20	3.7	1
	30	3.7	2.4
	45	3.7	2.4

## Applications

- Fan, pumps
- Conveyors, Packing machines
- City Electrical Network
- Petrol, Chemical industrial

## Dimension, mm



	A	B	H	W	N	D
1.5 - 11 Amps	60	156	175	92	91	95
15 - 22 Amps	68	182	200	108	105	105
30 - 75 Amps	80	208	222	125	124.8	135
90 - 150 Amps	110.3	293	310	155	129.2	160

## Model Code Description

