

# MOLD OPEN / CLOSE VALVE

3/2 Directional Control Valve - Pressure Operated with Pressure Booster

- High-speed poppet construction
- Constant repeatability
- Non-friction seat seals
- Non-lube
- Specialised low-wear body-coating
- Blowhead compatible
- Separate kick-off available
- Built-in flow controls and inlet shut-off
- Built-in pressure boosters
- Special base and two signal options



Model Number: D3900B0700

## DESIGN

**Poppet Valve:** Viton-seals on metal seats.

**Body:** Aluminum alloy, anodized.

## STANDARD SPECIFICATIONS

**Flow Medium:** Compressed air, filtered.

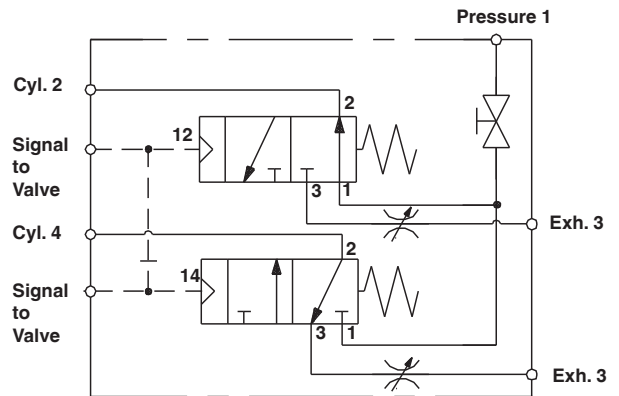
**Ambient Temperature:** -17° to 150° C (0° to 300° F).

**Media Temperature:** -17° to 150° C (0° to 300° F).

Kick-off Valve

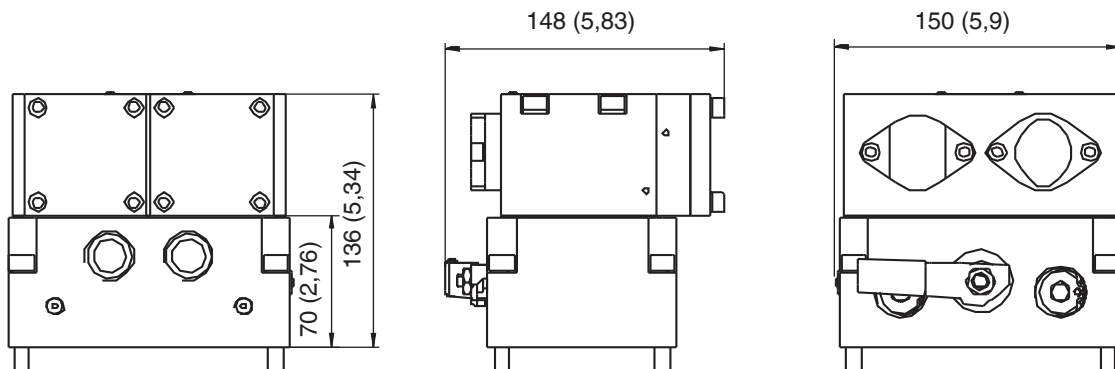


Model No.:  
D1223A1900



We reserve the right to introduce technical modifications.

## Dimensions - mm (inches)



# MOLD OPEN / CLOSE VALVE

3/2 Directional Control Valve - Pressure Operated with Pressure Booster

