

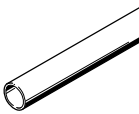
Piping

**FESTO**



# Piping

Product range overview and type codes

Product range overview						
Version	Type	O.D. [mm]	I.D. [mm]	Colour		→ Page/ Internet
				Silver	Black	
	PQ-AL Wrought aluminium alloy	12	10	■	–	3
		15	13	■	–	
		18	16	■	–	
		22	20	■	–	
		28	25	■	–	
	PQ-PA PA	12	9	–	■	4
		15	12	–	■	
		18	14	–	■	
		22	18	–	■	
		28	23	–	■	
	PM Wrought aluminium alloy, PE	6	3.92	–	■	6
		8	5.2	–	■	

## Type codes PQ-AL/PQ-PA

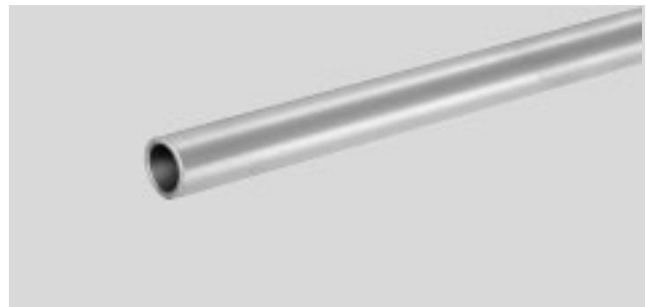
PQ		–	AL	–	18x1	x	3000
<b>Series</b>							
PQ	Pipe						
<b>Material</b>							
AL	Wrought aluminium alloy						
PA	Polyamide						
<b>O.D. and wall thickness [mm]</b>							
PQ-AL							
	12x1; 15x1; 18x1; 22x1; 28x1.5						
PQ-PA							
	12x1.5; 15x1.5; 18x2; 22x2; 28x2.5						
<b>Length [mm]</b>							
3000	3000 mm						

# Piping PQ

Technical data

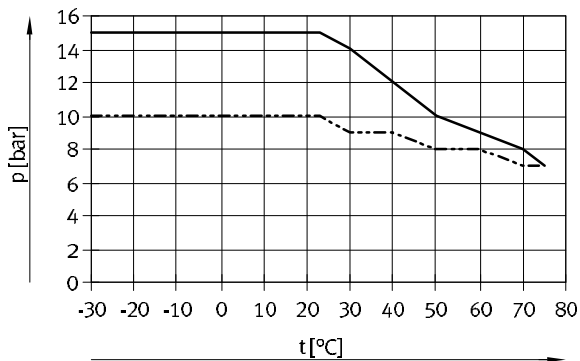
## Pipe PQ-AL

- Rigid, corrosion resistant aluminium pipe
- Smooth inside wall ensures optimum flow conditions



Operating and environmental conditions					
Type	PQ-AL-12	PQ-AL-15	PQ-AL-18	PQ-AL-22	PQ-AL-28
Temperature-dependent operating pressure [bar]	-0.95 ... +15 → graph				-0.95 ... +10 → graph
Ambient temperature [°C]	-30 ... +75				
Temperature of medium [°C]	-25 ... +75				

### Operating pressure p as a function of temperature t



— PQ-AL-12/15/18/22  
 - - - PQ-AL-28

### Possible fittings



Push-in fitting CQ  
 → Internet: cq

Materials	
Tube	Wrought aluminium alloy
Note on materials	RoHS-compliant

Dimensions and ordering data						
O.D. [mm]	I.D. [mm]	Product weight by length [kg/m]	Colour	Part No.	Type	PU <sup>1)</sup> [mm]
12	10	0.093	Silver	177732	PQ-AL-12x1x3000	3000
15	13	0.119		177733	PQ-AL-15x1x3000	3000
18	16	0.144		177734	PQ-AL-18x1x3000	3000
22	20	0.178		177735	PQ-AL-22x1x3000	3000
28	25	0.337		194593	PQ-AL-28x1,5x3000	3000

1) Packaging unit

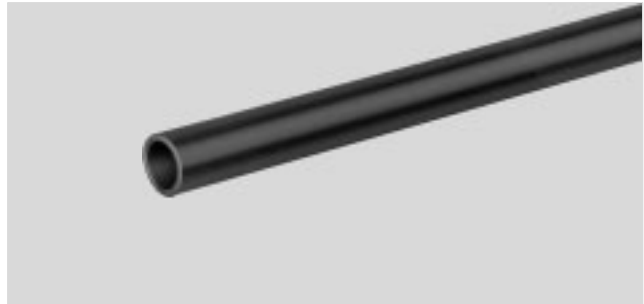
# Piping PQ

Technical data

FESTO

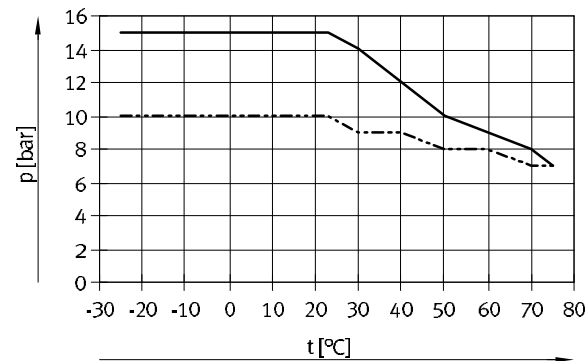
## Plastic pipe PQ-PA

- Rigid pipe made from high quality polyamide; corrosion resistant, flexible and maintenance-free
- Smooth inside wall ensures optimum flow conditions



Operating and environmental conditions						
Type		PQ-PA-12	PQ-PA-15	PQ-PA-18	PQ-PA-22	PQ-PA-28
Temperature-dependent operating pressure	[bar]	-0.95 ... +15 → graph				-0.95 ... +10 → graph
Ambient temperature	[°C]	-25 ... +75				
Temperature of medium	[°C]	-25 ... +75				

### Operating pressure p as a function of temperature t



— PQ-PA-12/15/18/22  
 - - - PQ-PA-28

### Possible fittings



Push-in fitting CQ  
 → Internet: cq

Materials	
Tube	PA

Dimensions and ordering data						
O.D. [mm]	I.D. [mm]	Product weight by length [kg/m]	Colour	Part No.	Type	PU <sup>1)</sup> [mm]
12	9	0.051	Black	177728	PQ-PA-12x1,5x3000	3000
15	12	0.065		177729	PQ-PA-15x1,5x3000	3000
18	14	0.103		177730	PQ-PA-18x2x3000	3000
22	18	0.13		177731	PQ-PA-22x2x3000	3000
28	23	0.204		194594	PQ-PA-28x2,5x3000	3000

1) Packaging unit

# Piping PQ

Accessories

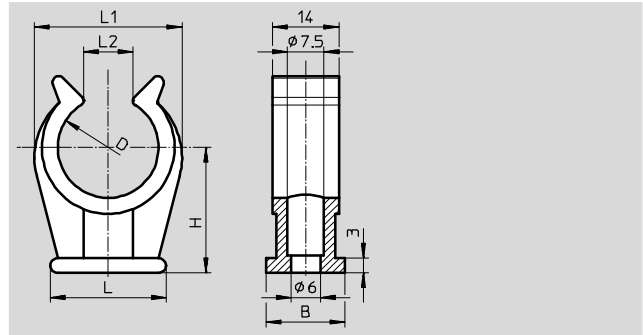
## Pipe clamp PQ-RK-...-B

Suitable for retaining pipes with O.D. of 12, 15, 18, 22 and 28 mm.

Material: PP

Note on materials:  
RoHS-compliant

Ambient temperature:  
-25 ... +85 °C



Dimensions and ordering data										
Nominal width [mm]	D	B	H	L	L1	L2	Weight/ piece [g]	Part No.	Type	PU <sup>1)</sup>
12	11.5	16.5	17.8	17.5	20	9	2.4	550595	PQ-RK-12-B	10
15	15	16	17.5	22.5	23	10	3.2	550596	PQ-RK-15-B	10
18	17	16	23.5	22.5	25	10	4.0	550597	PQ-RK-18-B	10
22	20.5	16	25.2	23.5	30	10	5.1	550598	PQ-RK-22-B	10
28	27.8	16	32.5	26	39	15	8.4	550599	PQ-RK-28-B	1

1) Packaging unit

## Pipe cutter ZR

The pipe cutter ZR is used for cutting to length plastic piping PQ-PA with outside diameters of up to 28 mm. It is not suitable for tubing with metal casing.



Ordering data		
	Part No.	Type
Pipe cutter	194592	ZR

# Festo - Your Partner in Automation



**1 Festo Inc.**  
5300 Explorer Drive  
Mississauga, ON L4W 5G4  
Canada

**Festo Customer Interaction Center**  
Tel: 1 877 463 3786  
Fax: 1 877 393 3786  
Email: [customer.service.ca@festo.com](mailto:customer.service.ca@festo.com)



**2 Festo Pneumatic**  
Av. Ceylán 3,  
Col. Tequesquináhuac  
54020 Tlalnepantla,  
Estado de México

**Multinational Contact Center**  
01 800 337 8669  
[ventas.mexico@festo.com](mailto:ventas.mexico@festo.com)



**3 Festo Corporation**  
1377 Motor Parkway  
Suite 310  
Islandia, NY 11749

**Festo Customer Interaction Center**  
1 800 993 3786  
1 800 963 3786  
[customer.service.us@festo.com](mailto:customer.service.us@festo.com)



**4 Regional Service Center**  
7777 Columbia Road  
Mason, OH 45040

Connect with us



[www.festo.com/socialmedia](http://www.festo.com/socialmedia)



[www.festo.com](http://www.festo.com)

Subject to change