

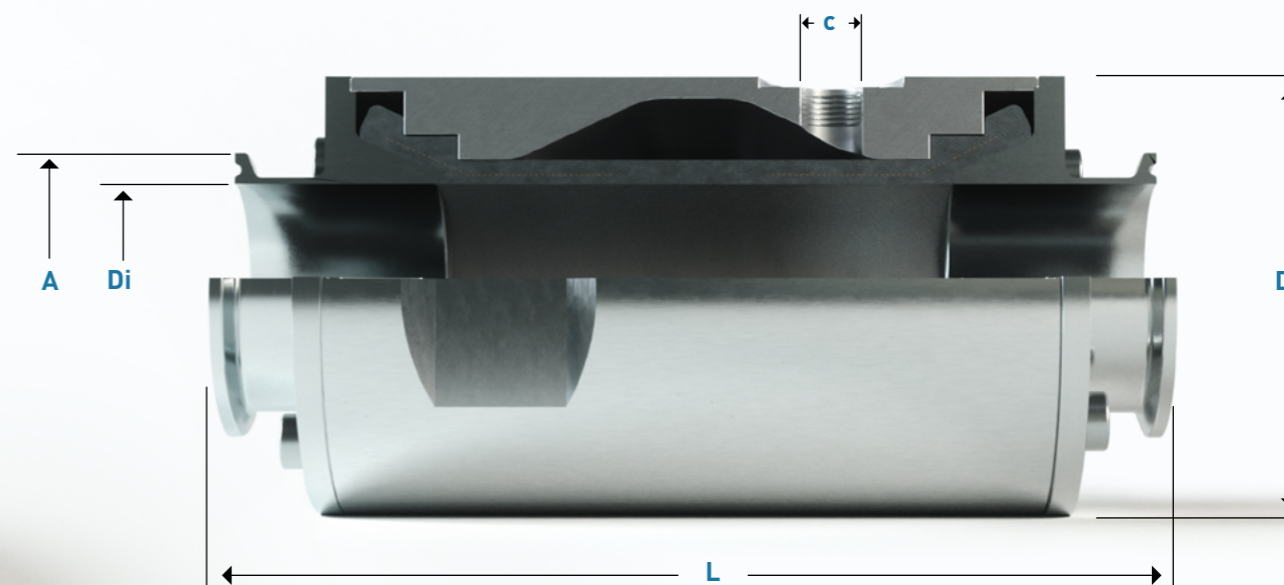


SERIES 78

Nominal widths: **Tri-Clamp 1/2", 3/4", 1", 1 1/4", 1 1/2", 2", DIN 32676 Serie**
 Especially suitable for: **pharmaceutical, chemical and food industry**



Dimensions



DN	Di	A	L	Da	c	Vol. l'	kg
15	16 / 1/2"	34	136,2	44	G 1/8"	0,04	0,60
20	20 / 3/4"	34	146,2	55	G 1/8"	0,05	0,95
25	26 / 1"	50,5	174,6	60	G 1/8"	0,07	1,25
32	32 / 1 1/4"	50,5	159	73	G 1/8"	0,10	1,85
40	38 / 1 1/2"	50,5	168	83	G 1/8"	0,13	2,25
50	50 / 2"	64	202	99	G 1/4"	0,28	3,70

Vol. l' - Control volume for closed valve

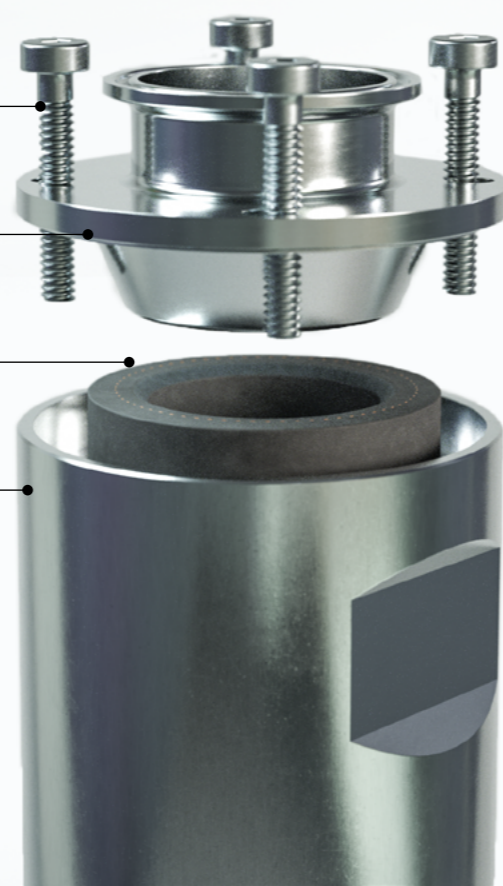
Material specifications

Screws
Stainless steel A4

Tri-Clamp
stainless steel 1.4404

Sleeve
as selected

Housing (not in contact with medium)
stainless steel 1.4404



Special versions on request

Assembly videos, service instructions, spare parts, conformities etc. see: ho-matic.ch/downloads

Article number

Series	DN	Sleeve Quality							Version	
		NR	NR-L	NR-LH	NBR-LH	EPDM-L	FPM	CR	CSM	Standard
78	015.	001.	011.	021.	121.	212.	303.	401.	501.	000
	020.									
	025.									
	032.									
	040.									
050.	ATEX-Versions:				NR-E	NR-LE	NBR-LE	EPDM-LE	ATEX	
					031.	061.	161.	262.	000	

Example orders

Valve complete: 78050.001.000 | Sleeve: 7050.001.000 | Spare parts:

Control | Accessories

