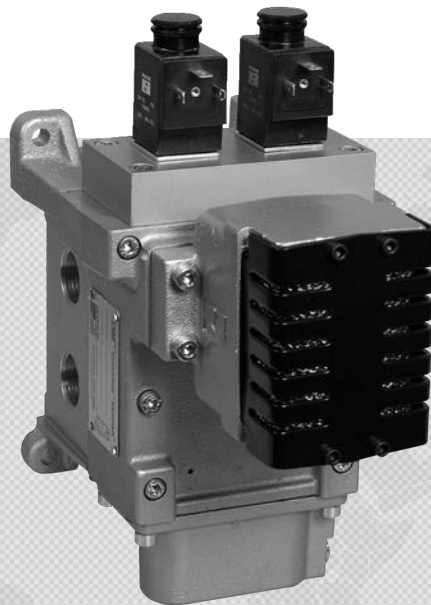




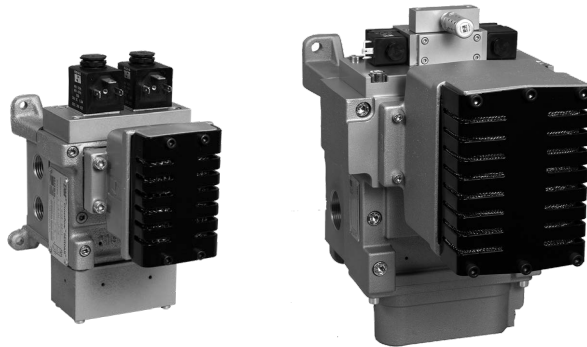
PRODUCT INFORMATION

PRESS CLUTCH/BRAKE MONITORED DOUBLE VALVES

DM²® SERIES D



ROSS CONTROLS



DM²® Monitoring:

The DM² is a patented 3/2 normally closed valve (with an intermediate, lockout position) distinguished by SERPAR® Crossflow passages with poppet and spool valving on the main valve stems. This arrangement provides the valve's outstanding flow characteristics and an integrated monitoring capability with total memory. The valve provides dynamic monitoring and dynamic memory.

Dynamic Monitoring means that all monitoring components change state on every valve cycle. Should the valve elements cycle asynchronously, the valve will exhaust downstream air and lock-out, prohibiting further operation.

Dynamic Memory within a monitoring system indicates that when a valve lock-out occurs, the valve will retain the fault information regardless of air or electrical changes. The DM² system can only be reset by a defined operation/procedure, and will not self-reset (turning the valve off and on) or reset when inlet air supply is removed and re-applied. Such automatic resetting would conceal potential hazards from the operator.

Explosion-Proof solenoid pilot valves available, consult ROSS.

VALVE SERIES	AVAILABLE PORT SIZES						MAX. FLOW Cv						Reset			Page
	1/4	3/8	1/2	3/4	1	1½	Port Size						Manual	Remote	Solenoid	
							1/4	3/8	1/2	3/4	1	1½				
DM ² ® D							2.17	2.17	2.8	4.63	4.63 8.86	20.22				G1.3 - G1.6
DM ² ® D Series E & C Preassembled Wiring Kits																G1.7
Accessories																G1.8

Press Control Double Valves with Internal Dynamic Monitoring & Memory

Clutch/Brake Control DM^{2R} Series D

Self Monitored

Basic Size 2, 4, 8, 12 and 30

Dynamic Monitoring with Memory: Memory, monitoring, and air flow control functions are simply integrated into two identical valve elements. Valves lock-out due to asynchronous movement of valve elements during actuation or de-actuation, resulting in a residual outlet pressure of less than 1% of supply. Overt action is required for reset – cannot be reset by removing and re-applying supply pressure. Reset can only be accomplished by remote air signal, optional electrical solenoid reset signal, or optional manual reset.

Basic 3/2 Normally Closed Valve Function: Dirt tolerant, wear compensating poppet design for quick response and high flow capacity. PTFE back-up rings on pistons to enhance valve endurance – operates with or without in-line lubrication.

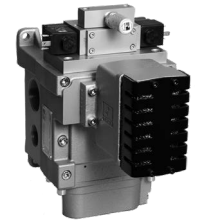
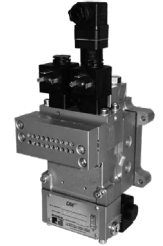
Status Indicator (Optional): Includes a pressure switch with both normally open and normally closed contacts to provide status feedback to the press control system indicating whether the valve is in the lockout or ready-to-run condition. The Status Indicator can be ordered installed or purchased separately and added to any DM^{2R} base.

Silencers: All models include high flow, clog resistant silencers.

Mounting: Base mounted – with BSPP or NPT pipe threads. Inlet and outlet ports on both sides provide for flexible piping (plugs for unused ports included). Captive valve-to-base mounting screws.

Basic Size 12 and 30

Intermediate Pilots: Increases pilot air flow for fast valve response, making it possible to use the same size solenoids as valve sizes 2, 4 & 8, thereby reducing electrical power requirements for these larger valves.



G1

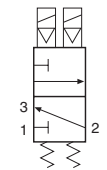
Choose your options (in red) to configure your Valve Model Number.

DM2D D A 42 A 1 1

Thread	G D		NPT N		Valve Only (No Base) X
Series	DM2D				
Revision Level	Basic Size 4, 8, 12, 30 A		Basic Size 2 B		
Basic Size	Port Size		Reset Type		
	Inlet	Outlet	Remote 1	Solenoid 2	
2	1/4 3/8	1/4 3/8	Manual 4	Status Indicator*	
4	1/2 1/2	1/2 3/4	Yes 1		
8	3/4 1	3/4 1	No/Valve Only (N/A) X		
12	1 1	1 1	*Installed in the base.		
30	1 1/2 1 1/2	2 2	Voltage*		
Valve Only (No Base)	Valve Only (No Base)		24 volts DC A		
			110 volts AC, 50 Hz; B		
			120 volts AC, 50/60 Hz C**		
			220 volts AC, 50/60 Hz D		
			12 volts DC E		
			24 volts AC E		

Connection Type	EN 175301-803 Form A* Leave	
	(connector not included) Blank	
	M12 (connector included)	005
*See options for connectors or wiring kits.		
Valve Basic Size	C _v 1-2	C _v 2-3
2	2.17	3.66
4	2.80	6.70
8	4.63	12.55
12	8.86	20.78
30	20.22	53.68
# Valve and base assembly with status indicator and solenoid reset.		

Connectors ordered separately, refer to page G1.8. For other options, consult ROSS.



Simplified Schematic

STANDARD SPECIFICATIONS (for valves on this page):

Construction Design	Dual poppet	Flow Media	Filtered, lubricated or unlubricated (mineral oils according to DIN 51519, viscosity classes 32-46)
Mounting	Type: Base Orientation: Preferably horizontally (valve on top of base) or vertically (with pilot solenoids on top)	Operating Pressure	Basic Size 2: 45 to 150 psig (3.1 to 10.3 bar) Basic Size 4, 8, 12, 30: 30 to 120 psig (2.1 to 8.3 bar)
Solenoids	According to VDE 0580. Two solenoids, rated for continuous duty	Reset Pressure	For remote air reset option – must be equal to inlet pressure
Voltage	Basic Size 2, 4, 12, 30: 24 volts DC; 110 volts AC, 50 Hz; 120 volts AC, 50/60 Hz Basic Size 8: 24 volts DC; 110 volts AC, 50/60 Hz	Manual Pressure	Encapsulated, push button actuation
Power Consumption (each solenoid)	Basic Size 2, 4, 12, 30: Primary and reset solenoids: 5.8 watts nominal on AC and DC; 6.5 watts maximum on AC and DC Basic Size 8: Primary solenoid: 15 watts on DC; 36 VA inrush and 24.6 VA holding on AC Reset solenoid: 6.0 watts on DC; 15.8 VA inrush and 10.4 VA holding on AC	Pressure Switch (Status Indicator) Rating	Contacts - 5 amps at 250 volts AC, or 5 amps at 30 volts DC
Enclosure Rating	DIN 40050, IP65, IEC 60529	Monitoring	Dynamically, cyclically, internally during each actuating and de-actuating movement. Monitoring function has memory and requires an overt act to reset unit after lockout.
Electrical Connection	Connector socket according to EN 175301-803 Form A	Operation Frequency	Minimum once per month, to ensure proper function
Temperature	Ambient: 15° to 120°F (-10° to 50°C) Media: 40° to 175°F (4° to 80°C)	Construction Material	Valve Body: Cast Aluminum Poppet: Acetal and Stainless Steel Seals: Buna-N
		Functional Safety Data: Category 4, PL e; B ₁₀₀ : 20,000,000; PFH _D : 7.71x10 ⁻⁹ ; MTTFD _D : 301.9 (n _{top} : 662400).	
		Certifications: CE Marked for applicable directives, DGVV, CSA/UL, TSSA for appropriately tested valves	
		Vibration/Impact Resistance: Tested to BS EN 60068-2-27.	

IMPORTANT NOTE: Please read carefully and thoroughly all of the **CAUTIONS, WARNINGS** on the inside back cover.



Online Version
04/05/19

rosscontrols.com

G1.3

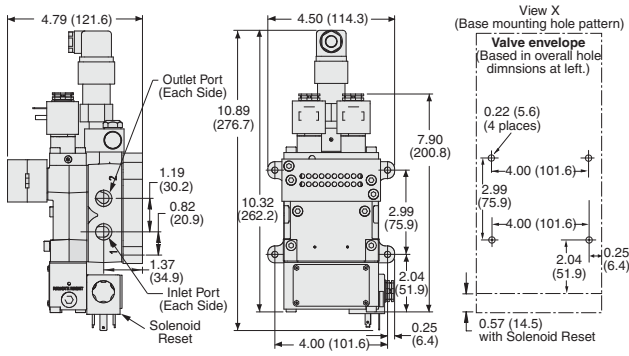
Press Control Double Valves with Internal Dynamic Monitoring & Memory

Valve Technical Data DM²® Series D

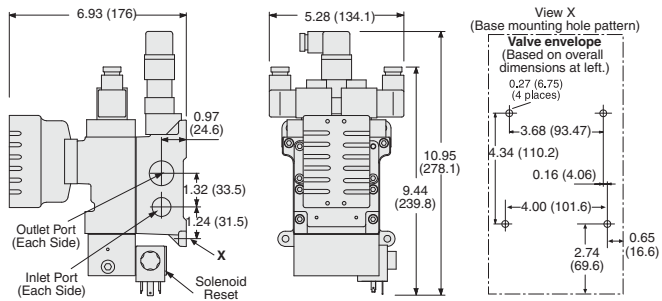
Valve Dimensions – inches (mm)

G1

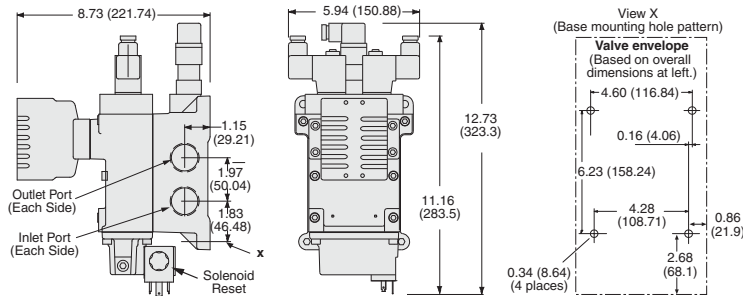
Basic Size 2



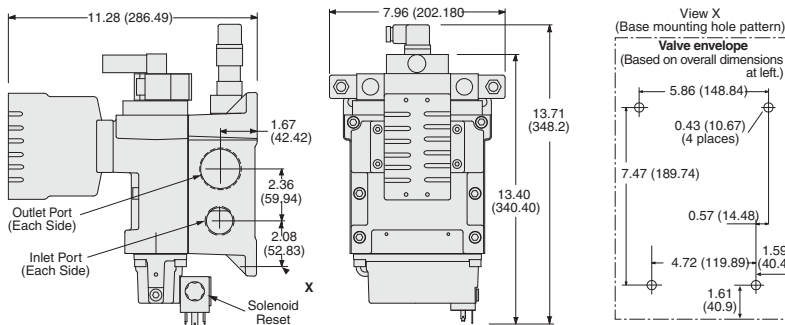
Basic Size 4



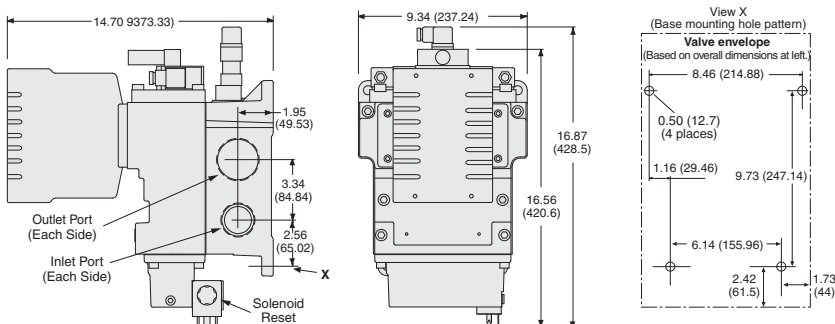
Basic Size 8



Basic Size 12



Basic Size 30



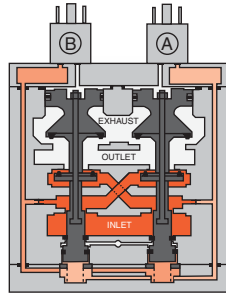
SUB-BASE MODEL NUMBERS and SUB-BASE SPECIFIC INFORMATION						
Valve Basic Size	Port Size		Sub-Base Model Number		Status Indicator	Weight lb (kg)
	Inlet	Outlet	NPT Threads	G Threads		
2	1/4	1/4	1872C91	D1872C91	No	1.7 (0.8)
	1/4	1/4	1873C91	D1873C91	Yes	2.1 (1.0)
	3/8	3/8	1874C91	D1874C91	No	1.7 (0.8)
	3/8	3/8	1875C91	D1875C91	Yes	2.1 (1.0)
4	1/2	1/2	1697C91	D1697C91	No	1.7 (0.8)
	1/2	1/2	1698C91	D1698C91	Yes	2.3 (1.1)
	1/2	3/4	1699C91	D1699C91	No	1.7 (0.8)
8	1/2	3/4	1700C91	D1700C91	Yes	2.3 (1.1)
	3/4	3/4	1701C91	D1701C91	No	3.6 (1.6)
	3/4	3/4	1702C91	D1702C91	Yes	4.2 (1.9)
12	1	1	1703C91	D1703C91	No	3.6 (1.6)
	1	1	1704C91	D1704C91	Yes	4.2 (1.9)
	1	1	1705C91	D1705C91	No	6.2 (2.8)
	1	1	1706C91	D1706C91	Yes	6.8 (3.1)
30	1	1 1/2	1707C91	D1707C91	No	6.2 (2.8)
	1	1 1/2	1708C91	D1708C91	Yes	6.8 (3.1)
	1 1/2	2	1709C91	D1709C91	No	12.0 (5.4)
	1 1/2	2	1710C91	D1710C91	Yes	12.6 (5.7)

IMPORTANT NOTE: Please read carefully and thoroughly all of the **CAUTIONS, WARNINGS** on the inside back cover.



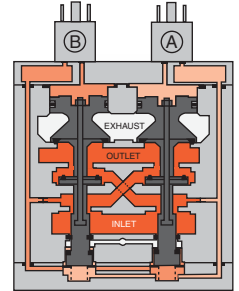
Valve De-actuated (ready-to-run):

The flow of inlet air pressure into the crossover passages is restricted by the size of the passage between the stem and the valve body opening. Flow is sufficient to quickly pressurize pilot supply/timing chambers A and B. The inlet poppets prevent air flow from crossover passages into the outlet chamber. Air pressure acting on the inlet poppets and return pistons securely hold the valve elements in the closed position. (Air passages shown out of position and reset adapter omitted for clarity.)



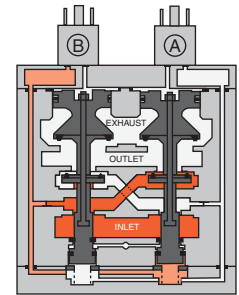
Valve Actuated:

Energizing the pilot valves simultaneously applies pressure to both pistons, forcing the internal parts to move to their actuated (open) position, where inlet air flow to crossover passages is fully open, inlet poppets are fully open and exhaust poppets are fully closed. The outlet is then quickly pressurized, and pressure in the inlet, crossovers, outlet, and timing chambers are quickly equalized. De-energizing the pilots quickly causes the valve elements to return to the ready-to-run position.



Valve Locked-out:

Whenever the valve elements operate in a sufficiently asynchronous manner, either on actuation or de-actuation, the valve will move to a locked-out position. In the locked-out position, one crossover and its related timing chamber will be exhausted, and the other crossover and its related timing chamber will be fully pressurized. The valve element (side B) that is partially actuated has pilot air available to fully actuate it, but no air pressure on the return piston to fully de-actuate the valve element. Air pressure in the crossover acts on the differential of side B stem diameters creating a latching force. Side A is in a fully closed position, and has no pilot air available to actuate, but has full pressure on the inlet poppet and return piston to hold the element in the fully closed position. Inlet air flow on side A into its crossover is restricted, and flows through the open inlet poppet on side B, through the outlet into the exhaust port, and from the exhaust port to atmosphere. Residual pressure in the outlet is less than 1% of inlet pressure. The return springs are limited in travel, and can only return the valve elements to the intermediate (locked-out) position. Sufficient air pressure acting on the return pistons is needed to return the valve elements to a fully closed position.



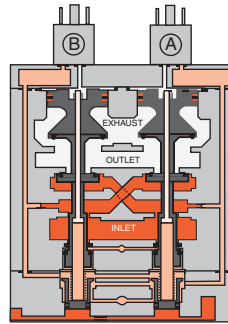
Resetting the Valve:

The valve will remain in the locked-out position, even if the inlet air supply is removed and re-applied. A remote reset signal (air or electric), or a manual push button actuation must be applied to reset the valve.

Reset is accomplished by momentarily pressurizing the reset port. Actuation of the reset piston physically pushes the main valve elements to their closed position. Inlet air fully pressurizes the crossovers and holds the inlet poppets on seat. Actuation of the reset piston opens the reset poppet, thereby, immediately exhausting pilot supply air, thus, preventing valve operation during reset. (Reset adapter added to illustration.)

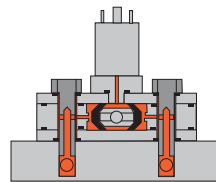
De-actuation of reset pistons causes the reset poppets to close and pilot supply to fully pressurize.

Reset air pressure can be applied by a remote 3/2 normally closed valve, or from an optional 3/2 normally closed solenoid, or a manual push button mounted on the reset adapter.



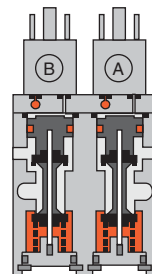
Status Indicator:

The status indicator pressure switch will actuate when the main valve is operating normally, and will de-actuate when the main valve is in the locked-out position or inlet pressure is removed. This device is not part of the valve lockout function, but, rather, only reports the status of the main valve.

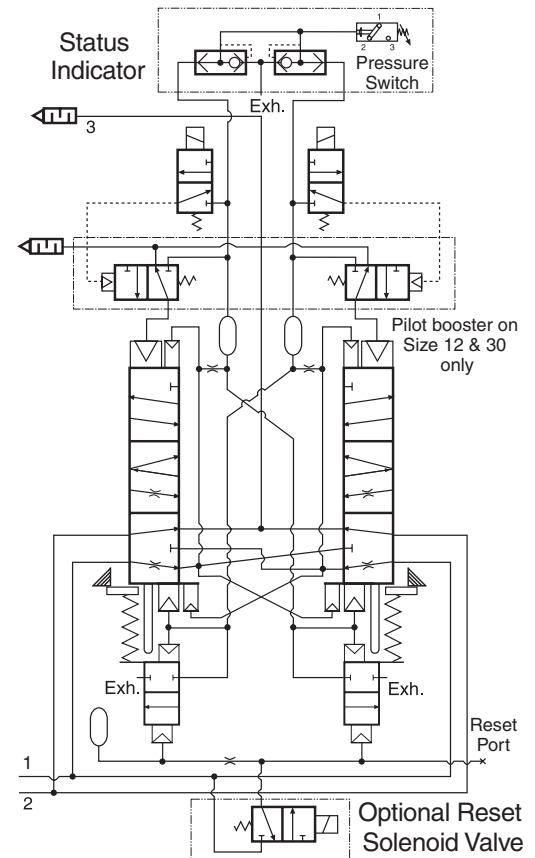


Status indicator (optional) in normal ready-to-run position.

Basic Size 12 and 30 valves require relatively large pilots to actuate and de-actuate the main valve elements. In order to achieve extremely quick valve response for such large pilots, a 2-stage solenoid pilot system is incorporated into the design. This keeps the required electrical current to operate the pilots to a minimum.



Basic Size 12 & 30 pilots



Schematic - Valve de-actuated

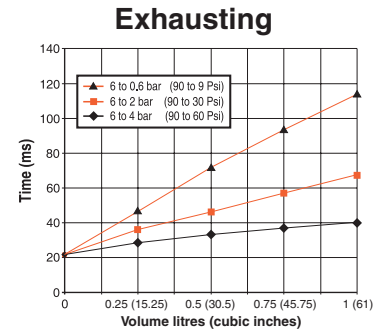
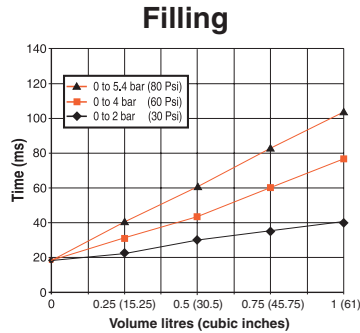
G1

G

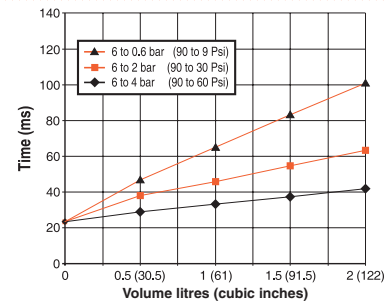
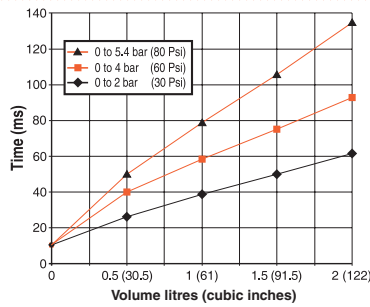
G1

The charts below represent the fill and exhaust times for each of the various sizes of DM²® Series D double valves. The “fill” times were measured while raising (filling) the pressure in a volume from 0 to 30, 60, & 80 psi (0 to 2.1, 4.1, & 5.5 bar) with a 90 psi (6.2 bar) inlet pressure. Conversely, the “exhaust” times were measured while lowering the pressure (exhausting) in a volume from 90 psi (6.2 bar) down to 90 to 60, 30, & 9 psi (4.1, 2.1, & 0.6 bar). **Exhausting tests performed with silencer installed.**

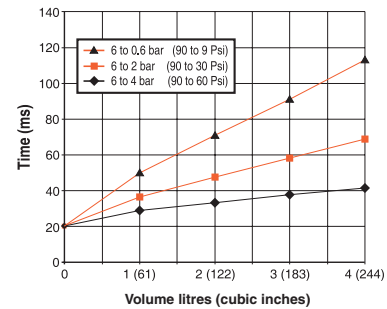
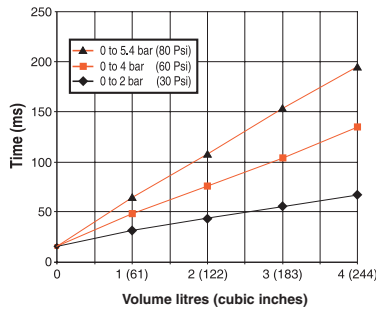
Basic Size 2



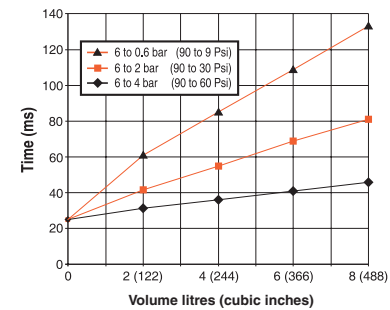
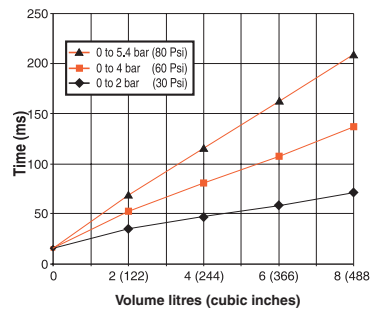
Basic Size 4



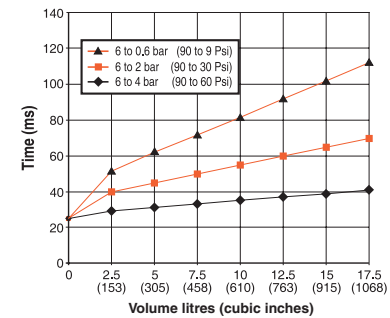
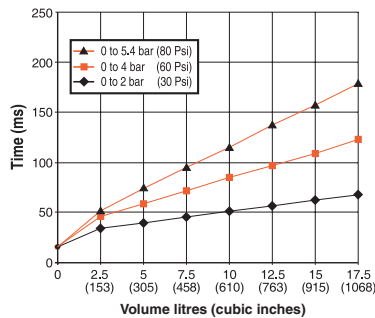
Basic Size 8



Basic Size 12



Basic Size 30



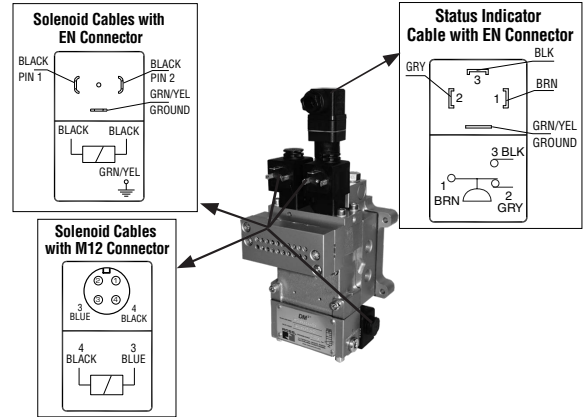
Wiring Kits

Preassembled Wiring Kits

Solenoid Connector Type	Kit Number*			Length meters (feet)
	Connector without Light	Lighted Connector		
		24 Volts DC	120 Volts AC	
EN 175301-803 Form A	2283H77	2532H77-W	2532H77-Z	5 (16.4)
	2284H77	2533H77-W	2533H77-Z	10 (32.8)
M12	2288H77	-	-	5 (16.4)
	2289H77	-	-	10 (32.8)

* Each cable has one connector.

These kits include 1 cable for the status indicator, and 3 cables with connector plus a cord grip for each.



Wiring Kits with J-Box

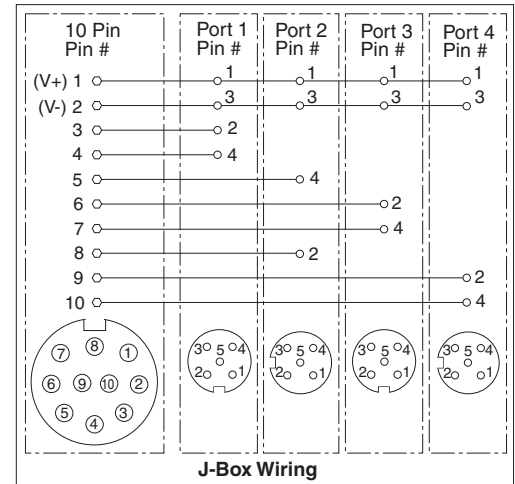
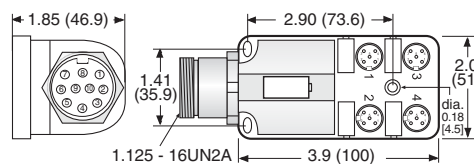
Connector Types	Kit Number*	Length meters (feet)
M12 - DIN	2249H77	1 (3.3)
M12 - M12	2250H77	1 (3.3)

*24 volts DC only.



A J-Box is a junction box with a 10-pin MINI connector for connecting to the user's control system and (4) 5-pin M12 ports for connecting to the 3 solenoids and the status indicator on the DM²® Series valve. The J-Box kits include the J-Box as described above and (4) 1-meter cables for connecting to the valve. These cables have a connector on each end. The status indicator cable and the (3) solenoid cables have an M12 connector on one end and a EN connector on the other end (M12-DIN).

Standard valves come with DIN type solenoid connections, but could be bought with M12 type connections as well. Therefore we also offer a kit that provides solenoid cables with an M12 connector on each end (M12-M12).



10 PIN MINI Cable

Kit Number	Length meters (feet)
2253H77	3.66 (12)
2254H77	6.1 (20)
2255H77	9.1 (30)
2256H77	15.2 (50)

These cables have a 10-pin MINI connector for connecting the J-Box kits above to the user's control system. Kits include one cable with connector and cord grip. Cable conductors are 18-gauge wire.

PIN #	PIN #
1 +24 volts DC	6 -
2 Common volts DC	7 Remote Reset
3 -	8 -
4 Solenoid A	9 Remote Valve Fault Light
5 Solenoid B	10 Remote System OK Light

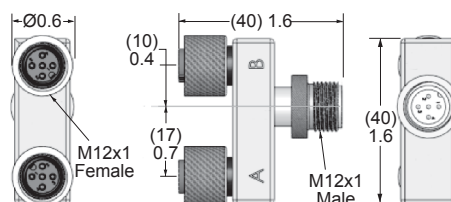
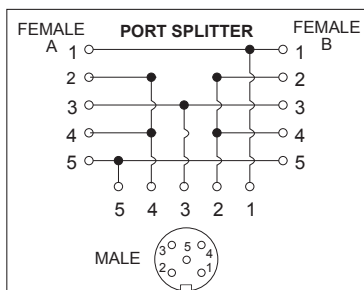
Wire Colors:	Wire Colors:
Orange	Orange w/Black
Blue	Red
White w/Black	Green/Yellow
Red w/Black	Black
Green w/Black	White



Outlet Port Pressure Monitoring Wiring Kit

Kit Number	Length meters (feet)
2251H77	1 (3.3)

Some customers prefer to monitor downstream pressure in addition to using the DM²® or DM¹ Series valve. A convenient way to do this is to install a pressure switch in the extra outlet port that is provided on the valve. The Outlet Port Pressure Monitoring kit can be used with one of the J-Box kits above to split one of the M12 ports on the J-Box so that a pressure switch can be wired in as well. These kits consist of one port splitter (a Tee with three M12 connectors) and one M12-DIN cable (1 meter).



Pressure switch available separately, see valve options.

IMPORTANT NOTE: Please read carefully and thoroughly all of the **CAUTIONS, WARNINGS** on the inside back cover.

G1

Electrical Connectors	Electrical Connector Form	Electrical Connector Type	Cord Length meters (feet)	Cord Diameter	Electrical Connector Model Number		
					Without Light	Lighted Connector	
						24 Volts DC	120 Volts AC
EN 175301-803 Form A	Prewired Connector (18 gauge)	2 (6½)	6-mm	721K77	720K77-W	720K77-Z	
	Prewired Connector (18 gauge)	2 (6½)	10-mm	371K77	383K77-W	383K77-Z	
	Connector for threaded conduit (1/2 inch electrical conduit fittings)	-	-	723K77	724K77-W	724K77-Z	
	Connector Only	-	-	937K87	936K87-W	936K87-Z	

CAUTIONS: Do not use electrical connectors with surge suppressors, as this may increase valve response time when de-actuating the solenoids.



Status Indicator	Model Number	The Status Indicator pressure switch actuates when the valve is in a ready-to-run condition and de-actuates when the valve is in a lockout condition or when the inlet air pressure has been removed.
	670B94	



Downstream Pressure Monitoring				
Pressure Switches (Electrical) for Energy Release Verification	Connection Type	Model Number	Port Thread	
	EN 175301-803 Form A	586A86	1/8 NPT	
	M12	1153A30	1/8 NPT	
Factory preset, 5 psi (0.3) - falling				May be installed on all valves with pressure sensing port. Provides means to verify the release of downstream pressure to next obstruction.



RESET VALVES for DOUBLE VALVES with REMOTE RESET

Valves with the remote reset option require a small 3/2 reset valve and the installation of a 1/8 inch air line from the reset valve to the reset port of the double valve. ROSS offers 3/2 normally closed valves with either manual or electric control that are suitable for this purpose.

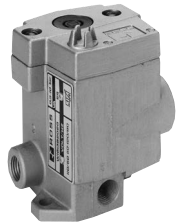
Manual Pushbutton Valves								
Valve Operator Type	Port Size	Button Color	Valve Model Number		C _v	Dimensions inches (mm)		
			NPT Threads	G Threads		Height	Depth	Length
Flush Pushbutton	1/8	Green	1223B1FPG	D1223B1FPG	0.6	1.26 (32)	3.89 (99)	1.46 (37)
	1/8	Red	1223B1FPR	D1223B1FPR	0.6	1.26 (32)	3.89 (99)	1.46 (37)
Mushroom Button	1/8	Green	1223B1MBG	D1223B1MBG	0.6	1.26 (32)	3.89 (99)	1.46 (37)
	1/8	Red	1223B1MBR	D1223B1MBR	0.6	1.26 (32)	3.89 (99)	1.46 (37)



G

Solenoid Pilot Controlled – Compact Valves for Line Mounting											
Valve Type	Port Size	Valve Model Number#		C _v	Average Response Constants**		Dimensions inches (mm)				
		1, 2, 3	NPT Threads		G Threads	M	F	Height	Depth	Length	
Normally-Closed	1/8	1613B1020	Z	D1613B1020	Z	0.3	5	2.90	3.73 (95)	2.88 (73)	2.58 (66)

Voltage: Z=110-120 VAC, 50/60 Hz; W=24 VDC, e.g., 1613B1020W. For other voltages, consult ROSS.



Solenoid Pilot Controlled – Miniature Valve for Base Mounting									
Valve Type	Override Type	Valve Model Number#		C _v	Dimensions inches (mm)				
		24 VDC	110-120 VAC 50/60 Hz		Height	Depth	Length		
Normally-Closed	Non-Locking	W1413A1409	W	D1413A1409	0.1	3.5 (89)	3.1 (79)	1.3 (32)	

For other voltages, consult ROSS.
* Sub-Base for Direct Solenoid Control Valves: 516B91 (NPT Threads), D516B91 (G Threads).



IMPORTANT NOTE: Please read carefully and thoroughly all of the CAUTIONS, WARNINGS on the inside back cover.

General Information

Standard Specifications

The standard specifications for the products on each page of this catalog are given on the same page or referenced. For solenoid pilot valves, models with internal pilot supply are listed. Most models are also available for use with external pilot supply or have a built-in pilot supply selector valve.

The products in this catalog are intended for use in industrial pneumatic systems. Most products are adaptable to other uses and conditions not covered by the standard specifications given in this catalog. Weights shown are approximate and are subject to change. Dimensions given, unless otherwise noted, are envelope dimensions (not for mounting). Consult ROSS for further information.

Port Threads

Ports of valves and bases described in this catalog have NPT (ANSI B2.1) threads. Other thread types can be specified by putting an appropriate prefix letter on the model number when ordering.

Thread Types by Model Prefix Letter

Pneumatic Port Threads	Prefix Letter	Threaded Electrical Opening
NPT (ANSI B2.1)	None	NPT
ISO 228 - DIN 259 Parallel, BSPP#	C*	—
ISO 228 - DIN 259 Parallel, BSPP#	D	G
ISO 228 - JIS B0203 Tapered#	J	ISO
SAE 1926- ISO 11926	S	NPT

* Used only for filters, regulators, lubricators.

ISO 228 threads supersedes BSPP, G and JIS thread types.

Flow Ratings

Flow ratings are expressed as C_v where $C_v = 1$ corresponds to a steady state air flow of approximately 32 scfm under the following conditions:

Inlet pressure = 100 psig (6.7 bar)
Pressure drop = 10 psi (0.69 bar)
Air temperature = 68°F (20°C)
Relative humidity = 36%

Note: Because widely differing test standards are used to measure C_v values, the figures given in this catalog should not be used to compare ROSS valves with those of other makers. The C_v ratings given here are intended only for use with performance charts published by ROSS. The C_v ratings are averages for the various flow paths through the valve and are for steady flow conditions.

Approvals and Certifications

ROSS products are designed to meet a number of industrial standards, including the Canadian Standards Association (C.S.A.) guidelines. For more information on specific product approvals, contact your local distributor or ROSS.

Solenoids

All ROSS standard solenoids are rated for continuous duty (unless noted otherwise) and will operate the valve within the air pressure range specified in this catalog.

Explosion-Proof Solenoid Pilot available, for more information consult ROSS.

Voltage & Hertz

When ordering a solenoid valve, also specify the desired solenoid voltage and hertz.

Voltage Types by Model Suffix Letter

Voltage	Suffix Letter
120 volts AC	Z
220 volts AC	Y
12 volts DC	H
24 volts DC	W
48 volts DC	M
90 volts DC	K
110 volts DC	P
125 volts DC	C

Recommended Solenoid Voltages: 100-110 volts AC, 50 Hz; 100-120 volts AC, 60 Hz; 24 volts DC; 110 volts DC.

In addition, the following voltages are available:

200, 220 volts AC, 50 Hz
200, 240, 480 volts AC, 60 Hz
24, 48, 220 volts AC, 50 Hz
240 volts AC, 60 Hz
200, 220 volts AC, 50 Hz
200, 240 volts AC, 60 Hz.

For example: Model 2773B5001, 120 volts AC, 60 Hz.
Model W6076B2401, 220 volts AC, 50 Hz.

Please note that not all configurations are available for all models.

For additional information or help with voltage configuration, please contact your local distributor or ROSS.

Port Identification

Valve symbols in this catalog conform to the ISO 1219-1:1991 standard of the International Organization for Standardization (ISO) and the SAE J2051 standard of the Society of Automotive Engineers (SAE) respectively.

Information or Technical Assistance

For additional information or application assistance concerning ROSS products, consult ROSS or your local ROSS distributor (see contact information on the back cover).

Order Placement

For order placement, consult ROSS or your local ROSS distributor.
For a current list of countries and local distributors, visit ROSS' website at rosscontrols.com.

CAUTIONS, WARNINGS and STANDARD WARRANTY

PRE-INSTALLATION or SERVICE

1. Before servicing a valve or other pneumatic component, be sure that all sources of energy are turned off, the entire pneumatic system is shut off and exhausted, and all power sources are locked out (ref: OSHA 1910.147, EN 1037).
2. All ROSS products, including service kits and parts, should be installed and/or serviced only by persons having training and experience with pneumatic equipment. Because any installation can be tampered with or need servicing after installation, persons responsible for the safety of others or the care of equipment must check every installation on a regular basis and perform all necessary maintenance.
3. All applicable instructions should be read and complied with before using any fluid power system in order to prevent harm to persons or equipment. In addition, overhauled or serviced valves must be functionally tested prior to installation and use. If you have any questions, call your nearest ROSS location listed on the cover of this document.
4. Each ROSS product should be used within its specification limits. In addition, use only ROSS parts to repair ROSS products.

WARNING: *Failure to follow these directions can adversely affect the performance of the product or result in the potential for human injury or damage to property.*

FILTRATION and LUBRICATION

5. Dirt, scale, moisture, etc. are present in virtually every air system. Although some valves are more tolerant of these contaminants than others, best performance will be realized if a filter is installed to clean the air supply, thus preventing contaminants from interfering with the proper performance of the equipment. ROSS recommends a filter with a 5-micron rating for normal applications.
6. All standard ROSS filters and lubricators with polycarbonate plastic bowls are designed for compressed air applications only. Do *not* fail to use the metal bowl guard, where provided, to minimize danger from high pressure fragmentation in the event of bowl failure. Do not expose these products to certain fluids, such as alcohol or liquefied petroleum gas, as they can cause bowls to rupture, creating a combustible condition, hazardous leakage, and the potential for human injury or damage to property. Immediately replace a crazed, cracked, or deteriorated bowl. When bowl gets dirty, replace it or wipe it with a clean dry cloth.

7. Only use lubricants which are compatible with materials used in the valves and other components in the system. Normally, compatible lubricants are petroleum based oils with oxidation inhibitors, an aniline point between 180°F (82°C) and 220°F (104°C), and an ISO 32, or lighter, viscosity. Avoid oils with phosphate type additives which can harm polyurethane components, potentially leading to valve failure which risks human injury, and/or damage to property.

AVOID INTAKE/EXHAUST RESTRICTION

8. Do not restrict the air flow in the supply line. To do so could reduce the pressure of the supply air below the minimum requirements for the valve and thereby cause erratic action.
9. Do not restrict a valve's exhaust port as this can adversely affect its operation. Exhaust silencers must be resistant to clogging and must have flow capacities at least as great as the exhaust capacities of the valves. Contamination of the silencer can result in reduced flow and increased back pressure.

WARNING: *ROSS expressly disclaims all warranties and responsibility for any unsatisfactory performance or injuries caused by the use of the wrong type, wrong size, or an inadequately maintained silencer installed with a ROSS product.*

POWER PRESSES

10. Mechanical power presses and other potentially hazardous machinery using a pneumatically controlled clutch and brake mechanism must use a press control double valve with a monitoring device. A double valve without a self-contained monitoring device should be used only in conjunction with a control system which assures monitoring of the valve. All double valve installations involving hazardous applications should incorporate a monitoring system which inhibits further operation of the valve and machine in the event of a failure within the valve mechanism.

ENERGY ISOLATION/EMERGENCY STOP

11. Per specifications and regulations, ROSS L-O-X® and L-O-X® with EEZ-ON® operation products are defined as energy isolation devices, NOT AS EMERGENCY STOP DEVICES.

STANDARD WARRANTY

limited to repair or replacement of the product or refund of the purchase price paid solely at the discretion of ROSS and provided such product is returned to ROSS freight prepaid and upon examination by ROSS is found to be defective. This warranty becomes void in the event that product has been subject to misuse, misapplication, improper maintenance, modification or tampering.

THE WARRANTY EXPRESSED ABOVE IS IN LIEU OF AND EXCLUSIVE OF ALL OTHER WARRANTIES AND ROSS EXPRESSLY DISCLAIMS ALL OTHER WARRANTIES EITHER EXPRESSED OR IMPLIED WITH RESPECT TO MERCHANTABILITY OR FITNESS FOR A PARTICULAR PURPOSE. ROSS MAKES NO WARRANTY WITH RESPECT TO ITS PRODUCTS MEETING THE PROVISIONS OF ANY GOVERNMENTAL OCCUPATIONAL SAFETY AND/OR HEALTH LAWS OR REGULATIONS. IN NO EVENT IS ROSS LIABLE TO PURCHASER, USER, THEIR EMPLOYEES OR OTHERS FOR INCIDENTAL OR CONSEQUENTIAL DAMAGES WHICH MAY RESULT FROM A BREACH OF THE WARRANTY DESCRIBED ABOVE OR THE USE OR MISUSE OF THE PRODUCTS. NO STATEMENT OF ANY REPRESENTATIVE OR EMPLOYEE OF ROSS MAY EXTEND THE LIABILITY OF ROSS AS SET FORTH HEREIN.

All products sold by ROSS CONTROLS are warranted for a one-year period [with the exception of all Filters, Regulators and Lubricators ("FRLs") which are warranted for a period of seven years] from the date of purchase to be free of defects in material and workmanship. ROSS' obligation under this warranty is





AMERICAS

U.S.A.

ROSS CONTROLS

rosscontrols.com

Customer Service

1-800-GET-ROSS (438-1800)

Technical Service

1-888-TEK-ROSS (835-7677)

Canada

ROSS CANADA

rosscanada.com

6077170 CANADA INC.

AN INDEPENDENT REPRESENTATIVE

Brazil

ROSS SOUTH AMERICA Ltda.

rosscontrols.com.br

EUROPE

Germany

ROSS EUROPA GmbH

rosseuropa.com

United Kingdom

ROSS UK Ltd.

+44-1543-671495

sales.uk@rosscontrols.com

rossuk.co.uk

France

ROSS FRANCE SAS

rossfrance.com

ASIA & PACIFIC

Japan

ROSS ASIA K.K.

rossasia.co.jp

India

ROSS CONTROLS INDIA Pvt. Ltd.

rosscontrols.com

China

ROSS CONTROLS (CHINA) Ltd.

rosscontrolschina.com

Full-Service Global Locations

There are ROSS Distributors Throughout the World

To meet your requirements across the globe, ROSS distributors are located throughout the world. Through ROSS or its distributors, guidance is available for the selection of ROSS products, both for those using pneumatic components for the first time and those designing complex systems.

Other literature is available for engineering, maintenance, and service requirements.

If you need products or specifications not shown in this catalog, please visit ROSS' website, contact ROSS or your ROSS distributor. The ROSS Support Team will be happy to assist you in selecting the best product for your application.

For a current list of countries and local distributors, visit ROSS' at rosscontrols.com.